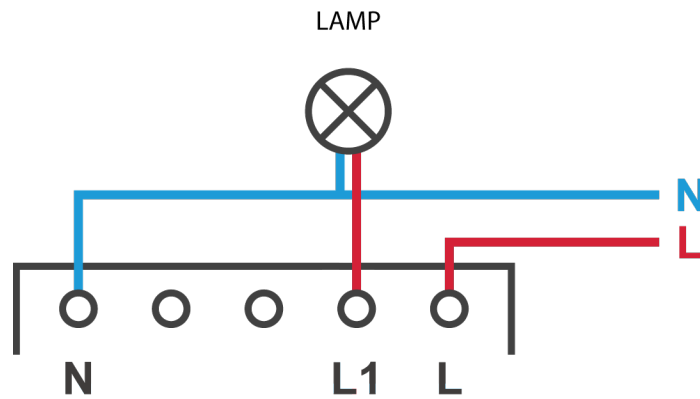
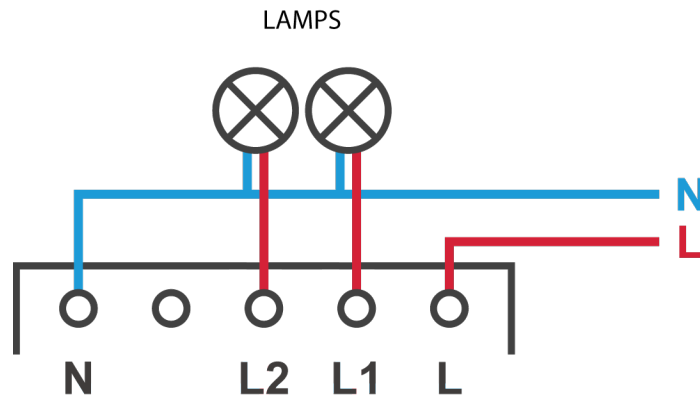


### Installation Instructions for Electricians SmartVU Home Light Switches (1, 2 & 3 gang)

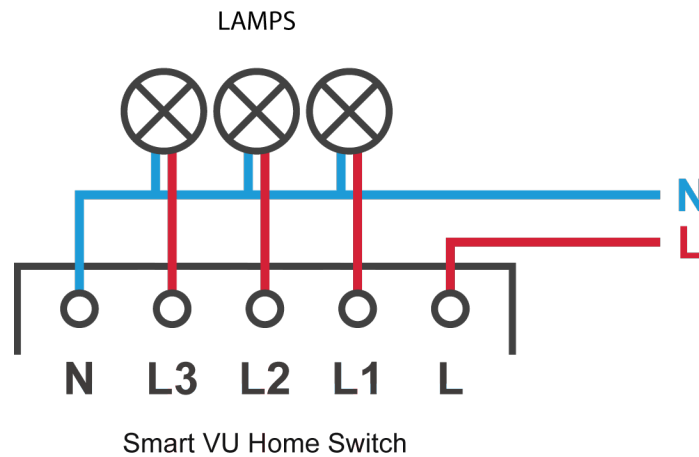
Please note that as the smart switches require 240v power, they feed the live through to the lamp when switched on. They do not have isolated contacts. The Quick Start Guide included with the SmartVU Home light switches shows the wiring diagrams as below:



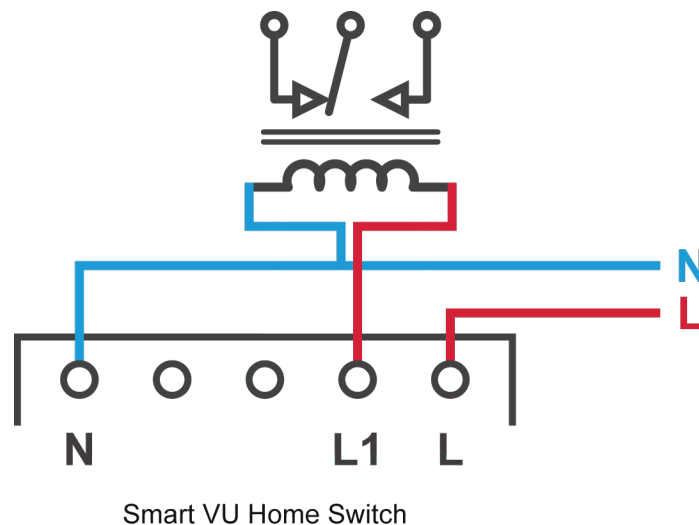
Smart VU Home Switch



Smart VU Home Switch



If you have a situation where you require isolated contacts, such as if you wish to switch low voltage (e.g. 12v LED lighting), you will need to add a relay or solid state switch to isolate the low voltage from the 240v line.



The diagram above only shows the single switch. The same can be applied to the 2 gang and 3 gang switches, but a relay will be needed for each output that you wish to isolate.

Please note that the relay or solid state switch will need to be 240v rated (you cannot use a 12v relay) and the contact current capacity of the relay will need to be sufficient for your low voltage load.